

# CT 30-ZP4

Short Centre-loaded Mobile Antenna  
for the 30 MHz Band

PROCOM

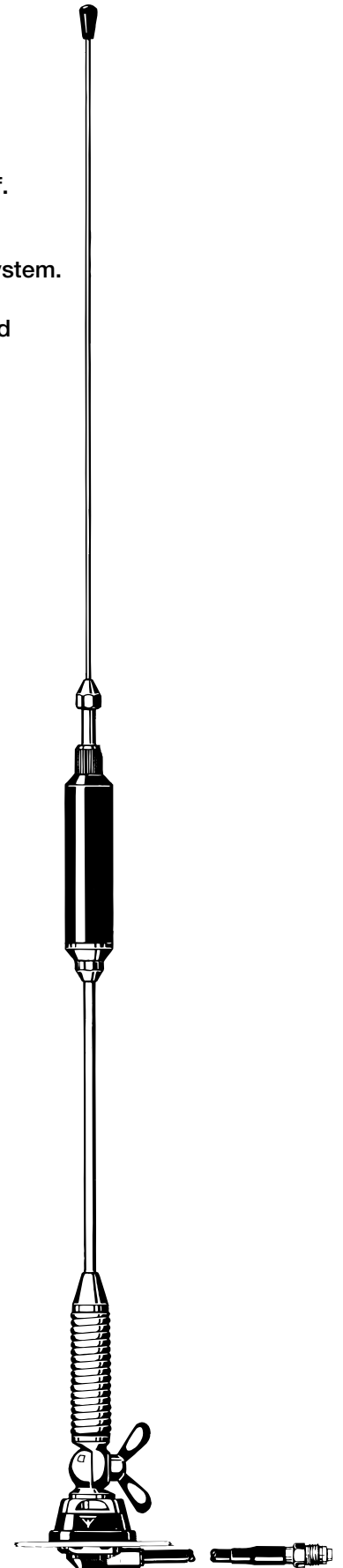


## DESCRIPTION:

- ★ Short antenna with attractive appearance ideal for mounting on the car roof.
- ★ High efficiency in spite of low height due to high-Q centre-loading coil and matching unit built into mount.
- ★ Stainless steel ZP4-mount with ball-joint and wing screw whip-fastening system.
- ★ Simple mounting exclusively with access from the outside.
- ★ Delivered with 4 m cable permanently attached to the mount and terminated with FME-connector.

## SPECIFICATIONS:

ELECTRICAL	
ANTENNA TYPE	Centre-loaded mobile antenna
FREQUENCY	30 MHz
IMPEDANCE	Nom. 50 $\Omega$
POLARISATION	Vertical
BANDWIDTH	$\geq 350$ kHz at SWR $\leq 1.5$
SWR	$\leq 1.3$
MAX. POWER	200 watt
MECHANICAL	
MATERIALS	Whip: Stainless steel Nylon Chromed brass
	Mount: Chromed brass Environment-proof plastics Stainless steel
RECOMMENDED INSTALLATION TORQUE	7.5 $\pm$ 1 Nm
CABLE	4 m RG 58
COLOUR	Bright/black
HEIGHT	Approx. 0.68 m (0.06 $\lambda$ )
WEIGHT	Approx. 490 g
MOUNTING	21 mm dia. hole



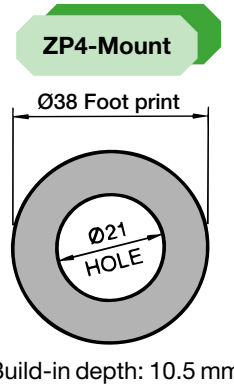
# CT 30-ZP4 Installation



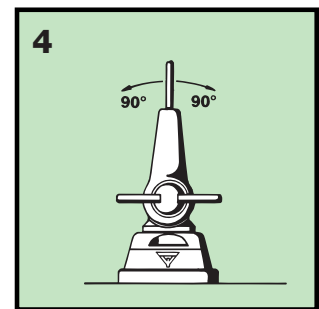
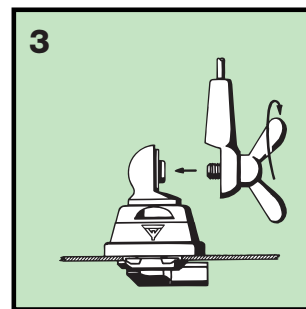
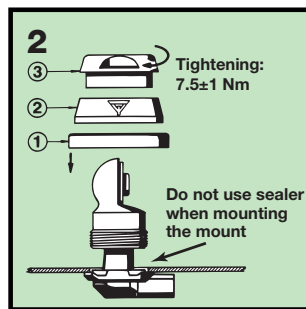
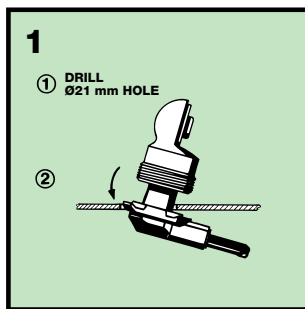
This antenna is supplied with type ZP4-mount. The whip is fastened to the mount by means of our standard ball-joint and wing screw system. The adjustable ball-joint ensures that the whip can always be mounted in a vertical position independent of the angle of the installation spot.

The ZP4-mount is particularly well suited for mounting on car-roofs because of its ability to be installed exclusively with access from the outside. However, the antenna can be installed anywhere on the car, as the ZP4-mount is equally well suited for mounting on e.g. trunk or wing.

## 1. INSTALLATION DIMENSIONS:



## 2. INSTALLATION STEPS:



## 3. TUNING:

The antenna should always be post-adjusted using an SWR-meter, especially if mounted near metal parts parallel to the whip.  
Loosen the union nut at the top of the coil and pull out the whip approx. 5 mm at a time until best possible SWR is obtained.  
Fasten the union nut thoroughly.

### PLEASE NOTE:

To make this antenna operate as efficiently as possible, a matching unit has been built into the antenna mount. Consequently, neither mount nor whip can be used together with other mounts/whips.