

CXL 23-7C/...

7 dBd Omnidirectional Base Station Antenna for the 23 cm Amateur Band

PROCOM

DESCRIPTION:

- ★ The CXL 23-7C/... is a 7 dBd, vertically polarised, omnidirectional base station antenna, which covers 1240–1300 MHz in two models.
- ★ The antenna is provided with the heavy-duty type “C” universal fixing bracket. The epoxy coated cast aluminium bracket and accompanying stainless steel “U” bolts are suitable for the most severe marine environment.
- ★ The CXL 23-7C/... is suitable for 27–65 mm dia. mast tubes. The coaxial feeder cable can be routed either internally or externally to the support tube.
- ★ The antenna has excellent VSWR and gain characteristics and is highly suitable for repeater operation.
- ★ The radiating element of the antenna is housed in a sealed high quality tapered glass fibre tube providing low wind loading and excellent all weather performance.
- ★ The antenna is DC grounded for static discharge protection.
- ★ The CXL 23-7C/... is a vibration-proof, slim-line, corrosion resistant, modern style base station antenna.

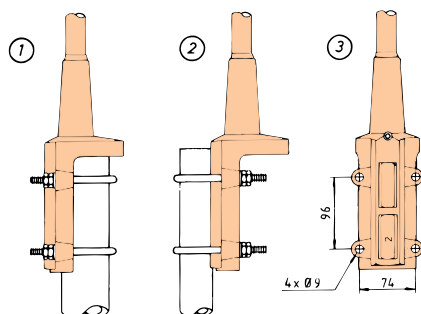
SPECIFICATIONS:

| ELECTRICAL | |
|-----------------------|--|
| MODEL | CXL 23-7C/... |
| ANTENNA TYPE | Colinear, broad-banded |
| FREQUENCY | Covering: 1240–1300 MHz |
| IMPEDANCE | Nom. 50 Ω |
| RADIATION | Omnidirectional |
| POLARISATION | Vertical |
| GAIN | 9 dBi 7 dBd |
| HALF-POWER BEAMWIDTH | 11° |
| BANDWIDTH | 30 MHz for CXL 23-7C/l 40 MHz for CXL 23-7C/h |
| SWR | ≤ 1.5 for CXL 23-7C/l ≤ 1.75 for CXL 23-7C/h |
| MAX. POWER | 100 watt |
| ANTISTATIC PROTECTION | All metal parts DC-grounded (Connector shows a DC-short) |
| MECHANICAL | |
| CONNECTOR | N-female |
| WIND SURFACE | 0.03 m ² |
| WIND LOAD | 41 N (at 150 km/h) |
| COLOUR | Marine white |
| MATERIALS | Radome: Polyurethane coated fiberglass Mounting bracket: Seawater resistant aluminium, epoxy-coated |
| TOTAL HEIGHT | Approx. 1.5 m |
| WEIGHT | Approx. 1.0 kg |
| MOUNTING | On 27–65 mm dia. mast tube |

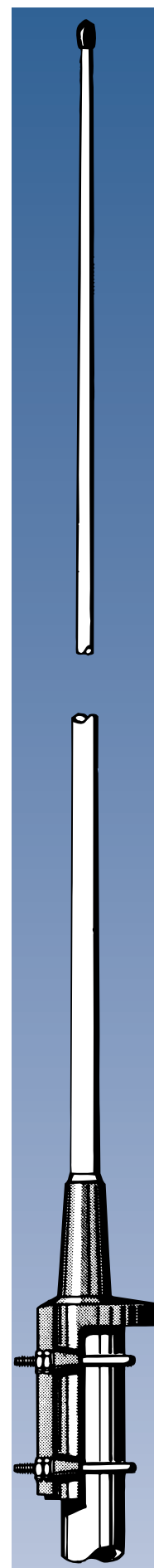
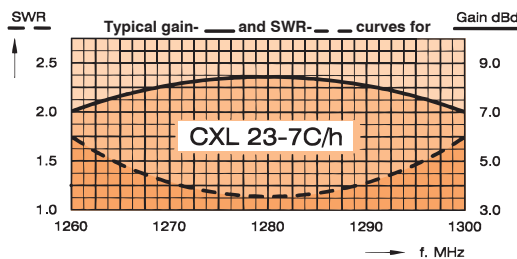
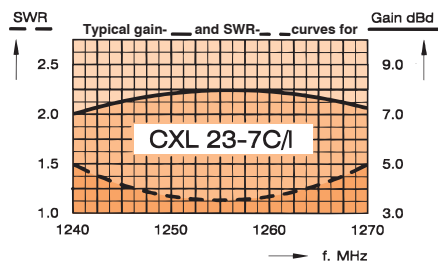
ORDERING DESIGNATIONS

| TYPE NO. | FREQUENCY |
|-------------|---------------|
| CXL 23-7C/l | 1240–1270 MHz |
| CXL 23-7C/h | 1260–1300 MHz |

MULTI-PURPOSE MOUNTING BRACKET:



- ① Mast tube D_i, min. = 32 mm
Mast tube D_o, max. = 65 mm
- ② Mast tube D_o, max. = 42 mm
Mast tube D_o, min. = 27 mm

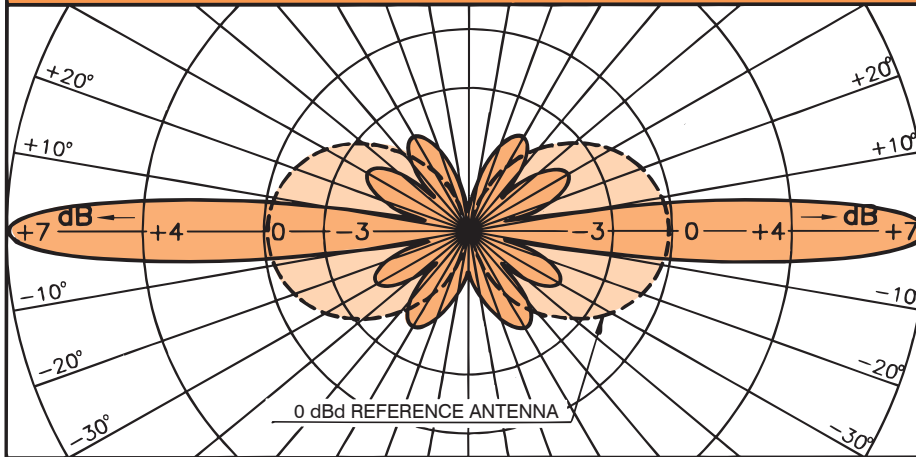


CXL 23-7C/...

7 dBd Omnidirectional Base Station
Antenna for the 23 cm Amateur Band



TYPICAL RADIATION PATTERN (E-PLANE)



TYPICAL RADIATION PATTERN (H-PLANE)

