

GF-RK 900

Reinstallation Kit for GlassFix® Antennas
Operating Above 500 MHz

PROCOM



DESCRIPTION:

The "GF-RK 900" GlassFix® reinstallation kit contains all new parts necessary to reinstall a GlassFix® antenna. The following tools are necessary:

- ★ A knife with a long, bendable blade.
- ★ Acetone and a dry cloth.

1. DISMANTLING AN EXISTING INSTALLATION:

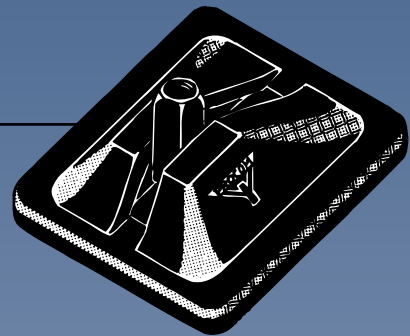
- ★ The external antenna mount and the internal matching unit are removed using a knife with a long, bendable blade. While bent, the knife blade is led in between the glass surface and the unit to be removed, and with slow, twisting movements the units can be eased off.
- ★ The external antenna mount is scrapped.
- ★ Clean the glass surface with acetone.

2. REGENERATING THE GLASSFIX® ANTENNA:

- ★ Strip off the double adhesive tape remains on the matching unit. The old tape may stick very effectively to the printed circuit board surface, and the tape may have to be scraped off carefully with a knife.
- ★ Clean the exposed surface with acetone and mount the new double-sided tape-pad from the "GF-RK 900" kit on the unit. Align the tape carefully while fixing it.

The antenna is now re-established and can be mounted following the normal GlassFix® mounting procedure.

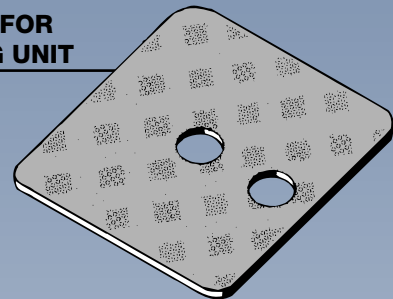
ANTENNA MOUNT



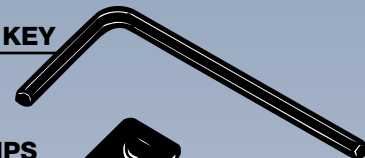
WINDOW CLEANER



TAPE PAD FOR MATCHING UNIT



HEXAGON KEY



CABLE CLIPS
(5 PCS)



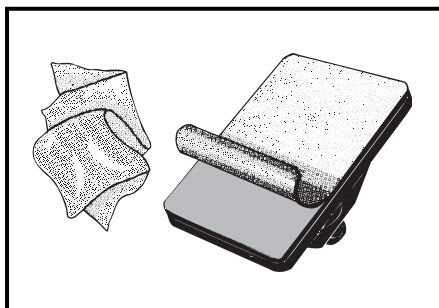
GF-RK 900 Reinstallation



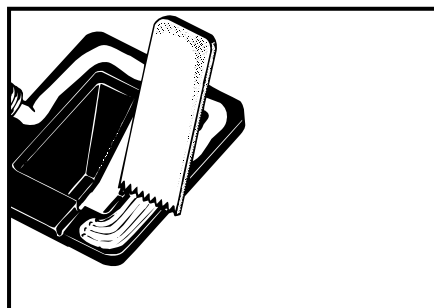
1. BEFORE INSTALLATION:

- ★ When selecting mounting location take into consideration: positions of back view mirror, wiper blade paths and defogger wires (when mounting on rear window). The driver's view should not be obstructed.
- ★ Max. allowed curvature of the glass surface on the mounting spot is 2 mm deflection per 100 mm length.
- ★ Environmental- and car temperature must be above 15° C at installation, and installation surfaces must be dry and clean.

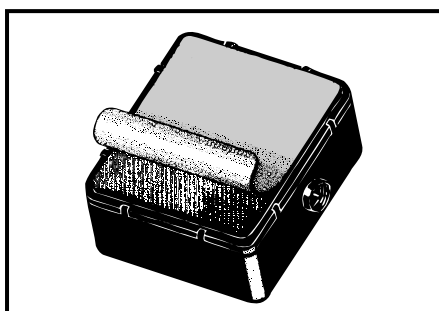
2. INSTALLATION:



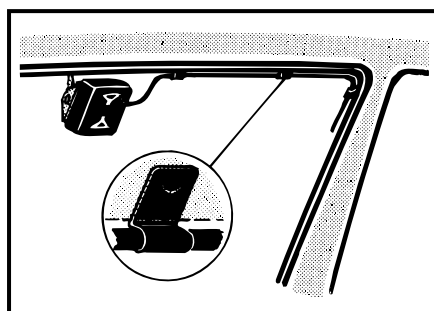
1. Clean both sides of the windscreen, where the antenna mount and the matching unit are to be fitted, and then remove the protective foil from the antenna mount.



2. Fit mount to screen and press firmly with twisting movements. Apply pressure on both plastic cover and antenna holder. Repeat 2-3 times. Fit the antenna whip.



3. Remove the protective foil from the matching unit.



4. Fit matching unit by pressing it firmly into position. Secure cable using clips provided.

3. TUNING INSTRUCTIONS:

- ★ Insert a forward/reflection-type wattmeter between the transmitter and the antenna.
- ★ Key the transmitter and observe the forward and the reflected power.
- ★ Adjust the tuning screw on the matching unit until minimum returned power is obtained. For duplex operation, the antenna can be off-tuned slightly to favorize the matching on the RX. Turning the screw clockwise will shift the antenna resonance to a lower frequency and vice versa. The SWR on the TX should, however, never exceed 1:1.5.

4. ADHESION ADVICE:

- ★ It is essential for a good adhesion result that the surfaces are properly cleaned and dry.
- ★ A high application pressure improves the binding power.
- ★ Ideal application temperature range is +20° C to +38° C but may be extended down to +15° C. When applied, binding strength is maintained between -30° C and +70° C.
- ★ Binding power increases considerably with time. To ensure full strength of the assembly it is recommended to keep the whip off the mount for 24 hours.
- ★ To accelerate attainment of full binding power, the joined parts may be heat-treated with a warm-air gun.
PLEASE NOTE: Do not heat parts to more than 65° C and take care not to spoil other nearby car parts.

WARNING: SAFETY PRECAUTIONS

- ★ Antennas mounted on the windscreen may cause relatively high field strengths in the passenger cabin and near the dashboard.
 1. To prevent health hazard due to RF radiation, persons must not be closer than 30 cm to the antenna whip (transmitter output power to the matching unit: 20 watt). (DIN 57 848).
 2. The RF signals at the dashboard may cause interference in the car's electronic equipment such as broadcast radio, computer automatics, braking systems, electronic ignition, relays etc. Some cars are more susceptible to disturbances than others.
It is the responsibility of the installer to carry out a thorough check of the proper functioning under any conditions of such circuits before finishing installation.
- ★ The enclosed silicone adhesive contains acetic acid and fungicides. Keep out of reach of children and dispose properly.