

# GP 160

## 1/4 $\lambda$ Glassfiber Ground-Plane Antenna for the 160 MHz Band

PROCOM

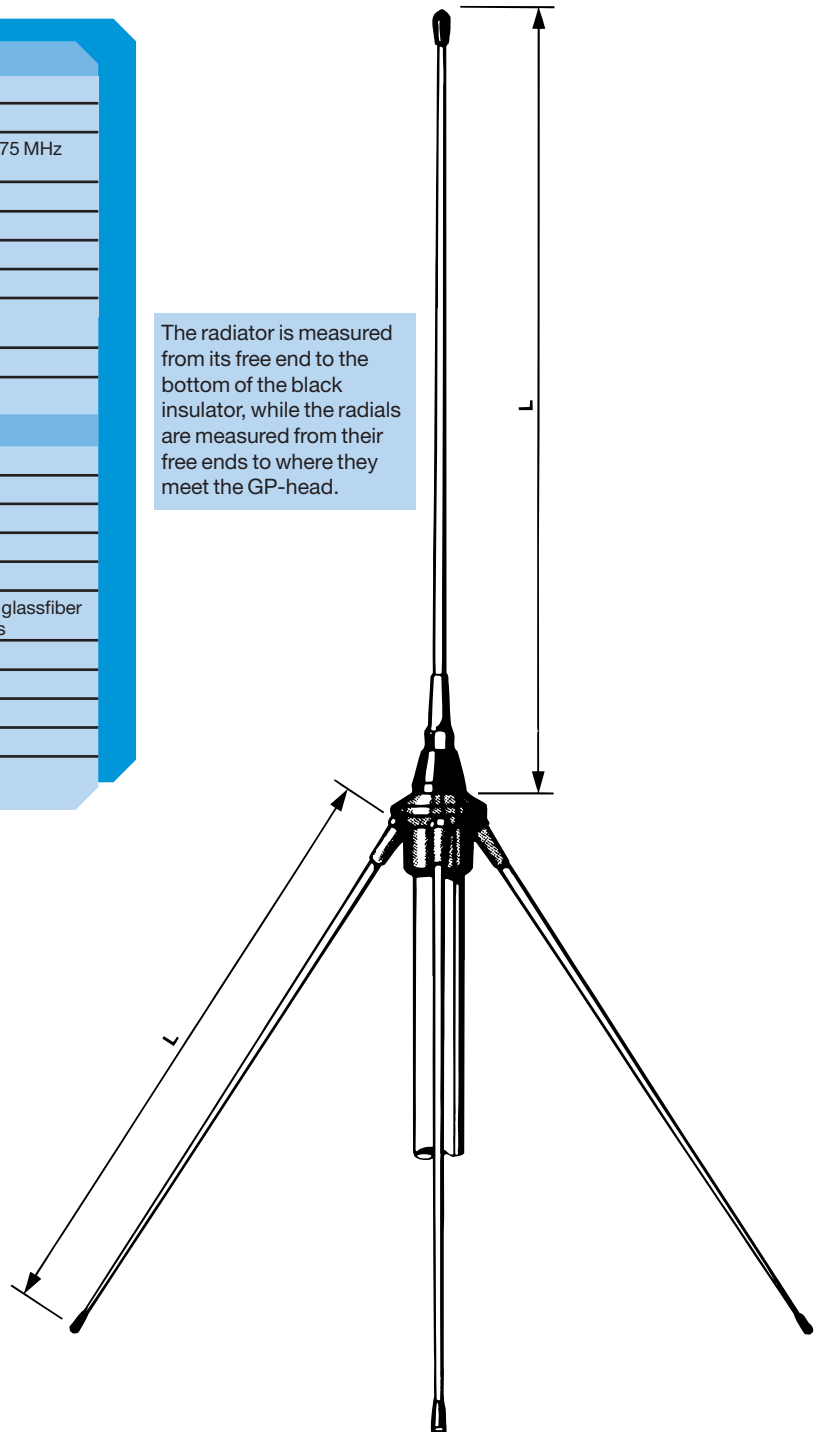
### DESCRIPTION:

- ★ GP 160 is a glassfiber ground-plane antenna of the triple-leg type.
- ★ The antenna is tunable (by cutting) within its main frequency band: 145...175 MHz, but is further applicable up to 400 MHz.
- ★ The cutting diagrams below indicate the length of the radiator and the radials corresponding to a specific frequency. It is recommended to use the curves as a guide and fine-tune using an SWR-meter.
- ★ The antenna comprises a GP-head made of chromed brass, one glassfiber radiator and three glassfiber radials.
- ★ GP 160 is made of first-class materials and will endure "wear and tear" for years – no maintenance required.

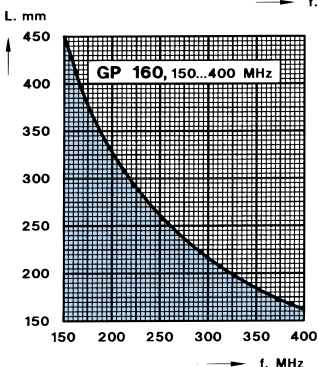
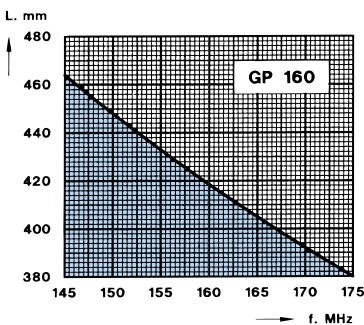
### SPECIFICATIONS:

ELECTRICAL	
MODEL	GP 160
ANTENNA TYPE	1/4 $\lambda$ ground-plane
FREQUENCY	Tunable by cutting within: 145...175 MHz (Also applicable: 175...400 MHz)
IMPEDANCE	Nom. 50 $\Omega$
RADIATION	Omnidirectional
POLARISATION	Vertical
GAIN	2 dBi (0 dBd)
BANDWIDTH	12 MHz at 160 MHz (SWR $\leq$ 2.0) 30 MHz at 400 MHz (SWR $\leq$ 2.0)
SWR	$\leq$ 1.2 at f. res.
MAX. POWER	1 kW
MECHANICAL	
TEMP. RANGE	-30° C $\rightarrow$ +70° C
CONNECTOR	UHF-female (fitting PL-259)
WIND SURFACE	0.0184 m <sup>2</sup>
WIND LOAD	25 N (at 150 km/h)
COLOUR	White/bright chrome
MATERIALS	Shroud : Polyurethane coated glassfiber Metal parts: Bright chromed brass
TOTAL HEIGHT	Approx. 870 mm
DIA. IN TOP END	5 mm
DIA. IN BOTTOM END	8 mm
WEIGHT	Approx. 1.0 kg
MOUNTING	38 mm dia. mast tube (42 mm dia. as option, see note)

The radiator is measured from its free end to the bottom of the black insulator, while the radials are measured from their free ends to where they meet the GP-head.



### CUTTING DIAGRAMS:



### PLEASE NOTE:

The GP 160 can be delivered with a GP-head for mounting on 42 mm dia. mast tube (standard is 38 mm) when ordering as option **GP 160/42 mm**.

PROCOM A/S reserve the right to amend specifications without prior notice.