

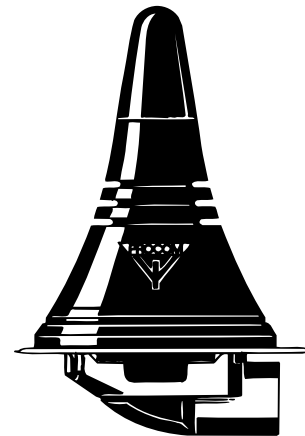
MU 1801-LX

0 dB Mobile Antenna
for the 1800 MHz Band



DESCRIPTION:

- ★ Mobile antenna for the 1800 MHz cellular systems (DCS-1800/PCN).
- ★ Black-chromed whip in nice, discrete design.
- ★ Approx. 0 dB gain.
- ★ Stainless steel LX-mount – professional quality in elegant and smooth design.
- ★ Especially suited for roof-mounting.
- ★ Provided with FME-connection (supplied without cable).
- ★ Bendable section in mount for adjustment of whip (tiltable 15° by hand).
- ★ Installation with access from the outside only (requiring an 18 mm dia. hole).



SPECIFICATIONS:

ELECTRICAL	
ANTENNA TYPE	1/4 λ mobile antenna
FREQUENCY	1800 MHz band (1700–1900 MHz)
IMPEDANCE	Nom. 50 Ω
POLARISATION	Vertical
GAIN	Approx. 0 dB (acc. to EIA RS-329)
BANDWIDTH	≥ 200 MHz at SWR ≤ 2.25
SWR	≤ 2.0 at f. res.
MAX. POWER	25 watt
MECHANICAL	
MATERIALS	Whip: Black-chromed brass Mount: Stainless steel Brass Environment-proof plastics
RECOMMENDED INSTALLATION TORQUE	3.5 Nm max.
CABLE	FME-cable to be ordered separately
COLOUR	Black
HEIGHT	Approx. 40 mm
WEIGHT	Approx. 30 g
MOUNTING	18 mm dia. hole

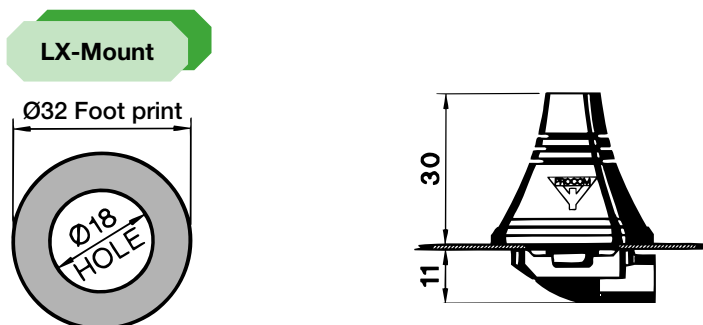
MU 1801-LX

Installation

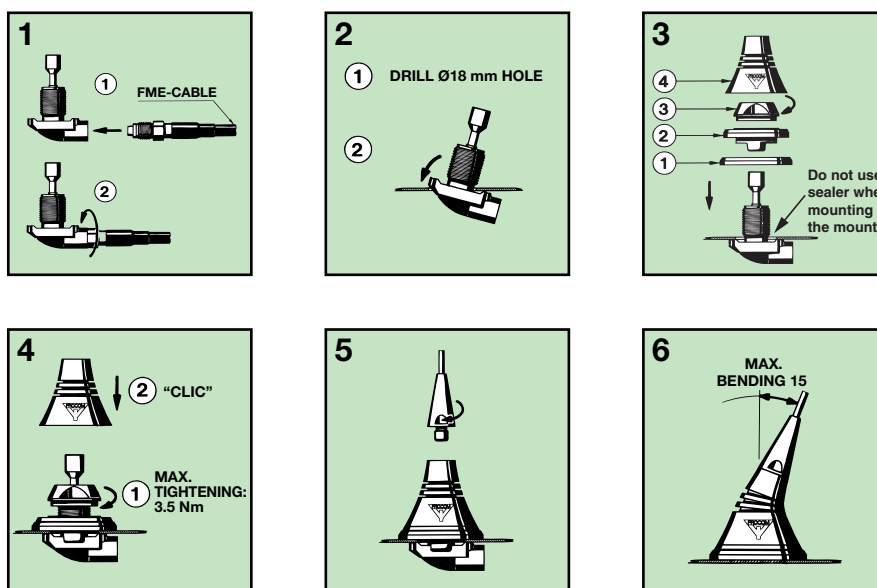


The LX-mount is especially suited for roof-mounting. It is recommended to mount the antenna at the centre of the roof to ensure the best omnidirectional coverage. Mounting can take place in an 18 mm dia. hole with access from the outside only.

1. INSTALLATION DIMENSIONS:



2. INSTALLATION STEPS:



PLEASE NOTE: When tightening the revolving nut (see picture 4), special care must be taken to keep the spanner in the correct position.

3. TUNING:

The antenna is delivered factory-tuned and requires no further tuning.