

MU 7-LX/...

Unity Gain $1/4 \lambda$ Mobile Antenna
for the 450 MHz Band

PROCOM



DESCRIPTION:

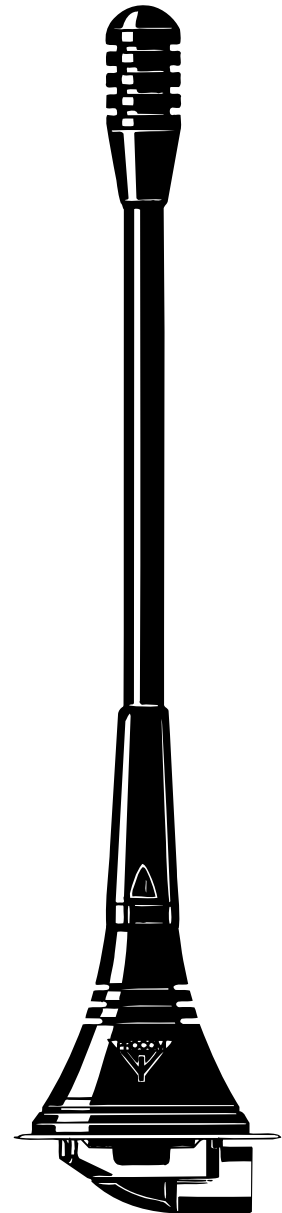
- ★ 0 dB mobile antenna with silicone covered flexible steel wire whip.
- ★ Type MU 7-LX/s covers 370–410 MHz
Type MU 7-LX/l covers 406–440 MHz
Type MU 7-LX/h covers 430–470 MHz
– no tuning required.
- ★ Stainless steel LX-mount – professional quality in elegant and smooth design.
- ★ Especially suited for roof-mounting.
- ★ Provided with FME-connection (supplied without cable).
- ★ Bendable section in mount for adjustment of whip (tiltable 15° by hand).
- ★ Installation with access from the outside only (requiring an 18 mm dia. hole).

ORDERING DESIGNATIONS:

FREQUENCY RANGE	TYPE NO.
370–410 MHz	MU 7-LX/s
406–440 MHz	MU 7-LX/l
430–470 MHz	MU 7-LX/h

SPECIFICATIONS:

ELECTRICAL	
ANTENNA TYPE	$1/4 \lambda$ mobile whip antenna
FREQUENCY	450 MHz band covered by three models
IMPEDANCE	Nom. 50Ω
POLARISATION	Vertical
GAIN	0 dB (acc. to EIA RS-329)
BANDWIDTH	≥ 40 MHz
SWR	≤ 1.3 at f. res.
MAX. POWER	100 watt
MECHANICAL	
MATERIALS	Whip: Steel wire covered with silicone tubing Black-chromed brass Mount: Stainless steel Brass Environment-proof plastics
RECOMMENDED INSTALLATION TORQUE	3.5 Nm max.
CABLE	FME-cable to be ordered separately
COLOUR	Black
HEIGHT	Approx. 160 mm
WEIGHT	Approx. 45 g
MOUNTING	18 mm dia. hole



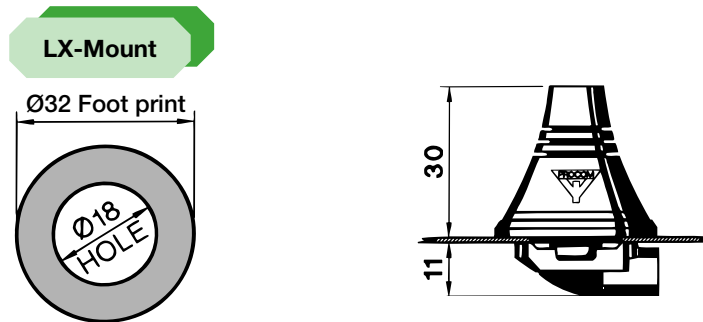
MU 7-LX/...

Installation

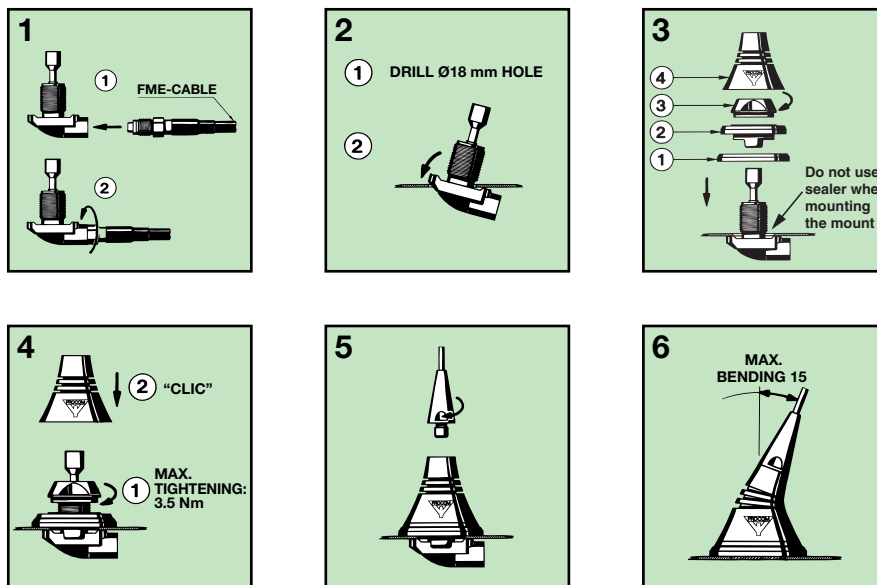


The LX-mount is especially suited for roof-mounting. It is recommended to mount the antenna at the centre of the roof to ensure the best omnidirectional coverage. Mounting can take place in an 18 mm dia. hole with access from the outside only. When cleaning the car in car-washing machines, the whip should be removed – a 9 mm fork spanner can be used. After wash, the whip is refitted and tightened lightly with the spanner. The mount is equipped with a bendable section ($\pm 15^\circ$) to make it possible to adjust the antenna to an upright position.

1. INSTALLATION DIMENSIONS:



2. INSTALLATION STEPS:



PLEASE NOTE: When tightening the revolving nut (see picture 4), special care must be taken to keep the spanner in the correct position.

3. TUNING:

The antenna is delivered factory-tuned and requires no further tuning.