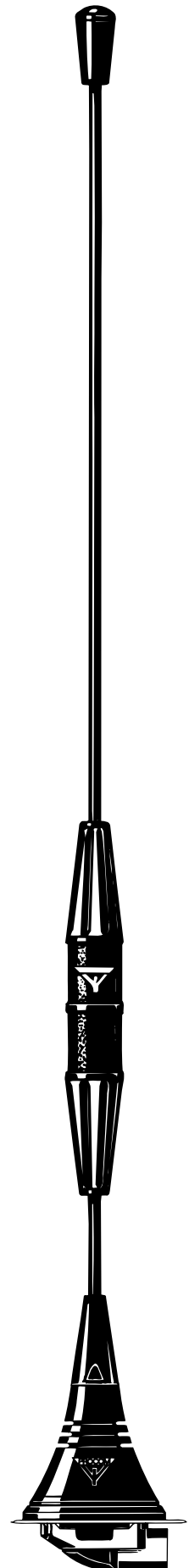


MU 911-LX/...

Colinear 4 dB Mobile Antenna
for the 900 MHz Band

PROCOM



DESCRIPTION:

- ★ 4 dB mobile antenna with encapsulated phasing coil.
- ★ Black-chromed stainless steel whip.
- ★ Models available for the most common 900 MHz cellular networks.
- ★ Stainless steel LX-mount – professional quality in elegant and smooth design.
- ★ Especially suited for roof-mounting.
- ★ Provided with FME-connection (supplied without cable).
- ★ Bendable section in mount for adjustment of whip (tiltable 15° by hand).
- ★ Installation with access from the outside only (requiring an 18 mm dia. hole).

ORDERING DESIGNATIONS:

FREQUENCY RANGE	TYPE NO.
824–894 MHz (EAMPS)	MU 911-LX/l
870–950 MHz (ETACS)	MU 911-LX/m
880–960 MHz (EGSM & NMT-900)	MU 911-LX/h

SPECIFICATIONS:

ELECTRICAL	
ANTENNA TYPE	Colinear mobile whip antenna
FREQUENCY	900 MHz band covered by three models
IMPEDANCE	Nom. 50 Ω
POLARISATION	Vertical
GAIN	4 dB (acc. to EIA RS-329)
BANDWIDTH	≥ 40 at SWR ≤ 1.5 ≥ 80 at SWR ≤ 2.0
SWR	≤ 1.3 at f. res.
MAX. POWER	60 watt
MECHANICAL	
MATERIALS	Whip: Stainless steel and brass, black-chromed Durable plastics Mount: Stainless steel Brass Environment-proof plastics
RECOMMENDED INSTALLATION TORQUE	3.5 Nm max.
CABLE	FME-cable to be ordered separately
COLOUR	Black
HEIGHT	Approx. 300 mm
WEIGHT	Approx. 58 g
MOUNTING	18 mm dia. hole

PROCOM A/S reserve the right to amend specifications without prior notice.

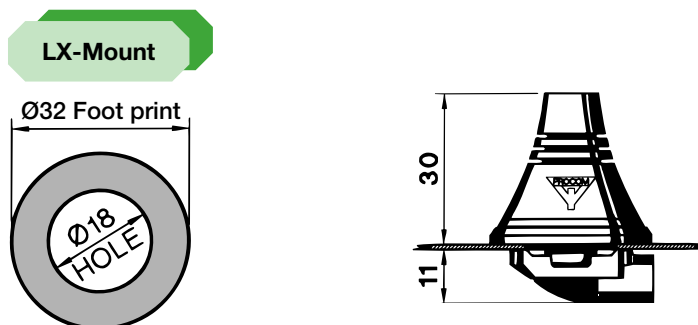
MU 911-LX/...

Installation and Tuning

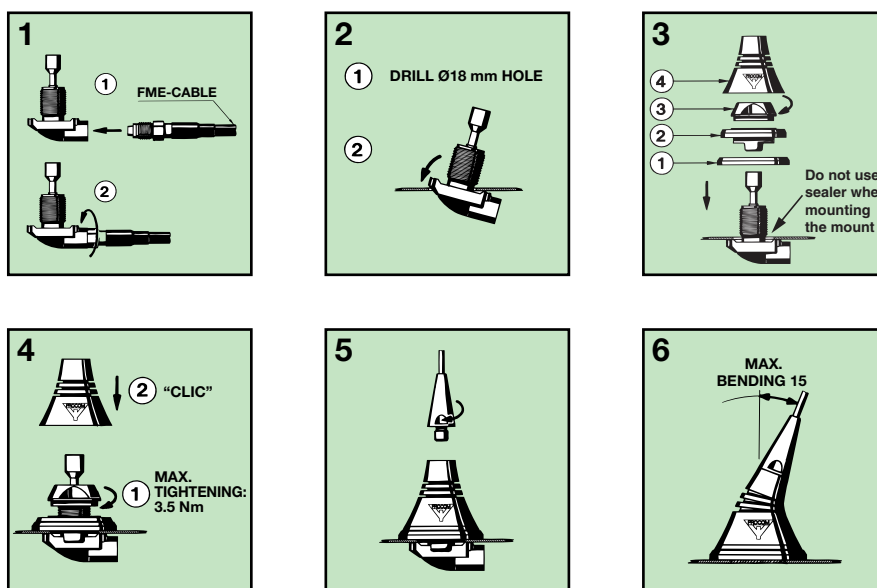


The LX-mount is especially suited for roof-mounting. It is recommended to mount the antenna at the centre of the roof to ensure the best omnidirectional coverage. Mounting can take place in an 18 mm dia. hole with access from the outside only. When cleaning the car in car-washing machines, the whip should be removed – a 9 mm fork spanner can be used. After wash, the whip is refitted and tightened lightly with the spanner. The mount is equipped with a bendable section ($\pm 15^\circ$) to make it possible to adjust the antenna to an upright position.

1. INSTALLATION DIMENSIONS:



2. INSTALLATION STEPS:



PLEASE NOTE: When tightening the revolving nut (see picture 4), special care must be taken to keep the spanner in the correct position.

3. TUNING:

The antenna is delivered factory-tuned and requires no further tuning.