

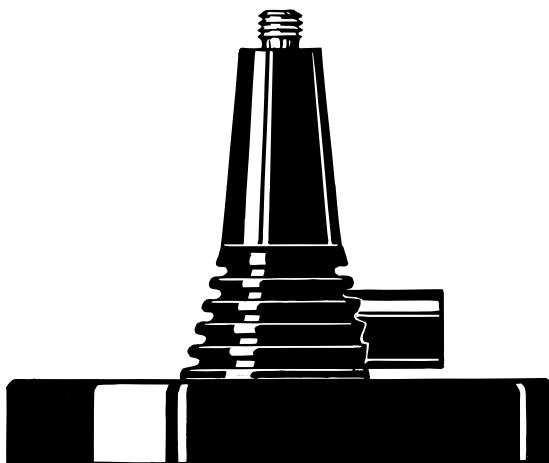
MiniMag – “MM”

Miniature Magnetic Mount for
Mobile Antenna Whips



DESCRIPTION:

- ★ Small, low-profile magnetic mount intended to carry short mobile antenna whips (height below 60 cm).
- ★ Full compatibility with the X-mount, i.e. all X-type whips can be used on the “MM”.
- ★ Provided with FME connecting system (FME-cable must be ordered separately).
- ★ Silicone layer on contact surface protects the car roof and ensures maximum friction.



ORDERING:

Generally: Order this magnetic base by simply asking for MM. (FME-cable and FME-connector are ordered separately).

Complete antennas can be ordered: – by ordering X-type whips and MM separately, or:
– by coding MM into the antenna designation. (In this case please consult the X-mount leaflet for the particular whip type in question to check if the combination is available).

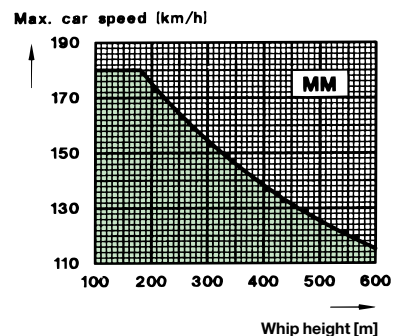
SPECIFICATIONS:

APPLICATION	Magnetic mount for all X-type mobile antenna whips shorter than 60 cm
FREQUENCY	135–1000 MHz
MATERIALS	Black chromed brass Environment-proof plastics Electrostatic powder laquer
CONNECTION TO WHIP	M6 thread joint
CONNECTOR	FME-system
COLOUR	Black
WEIGHT	Approx. 0.28 kg
DIMENSIONS	Total height: Approx. 59 mm. Diameter: 72 mm
MOUNTING	Centre of vehicle roof for best omnidirectional coverage
MAX. CAR SPEED	Depending on whip height. See curve below

FME-SYSTEM ACCESSORIES	
FME-CABLES	
LENGTH	TYPE NO.
1m	1m FME
2m	2m FME
3m	3m FME
4m	4m FME
5m	5m FME
6m	6m FME
4m white	4m FME-white
6m white	6m FME-white
12m white	12m FME-white
18m white	18m FME-white

For further information about other types of FME-cables please compare the cable data sheets under accessories in our catalogue.

FME-CONNECTORS	
CONNECTOR	ORDER NO.
FME-FME	FME-FME
Prolongation	FMEP
N	FME-N
FSMA	FME-FSMA
BNC	FME-BNC
TNC	FME-TNC
UHF	FME-UHF
Mini-UHF	FME-MUHF
Elbow-MUHF	FME-EMUHF
Elbow-BNC	FME-EBNC
Elbow-TNC	FME-ETNC
SMA	FME-SMA



Using the MiniMag – “MM”



This magnetic mount is used to make an occasional antenna installation where it is not desirable to drill holes in the vehicle. A magnetic mount can advantageously serve several vehicles by shifting it from one vehicle to another. The MiniMag is provided with a thoroughly magnetized permanent ring magnet positioned in a carefully shaped magnetic circuit which yields an extraordinarily high attaching effect and makes this mount stand for very high values of bending moment and mechanical shock.

A silicone layer applied to the whole contact surface protects the car roof and ensures maximum friction.

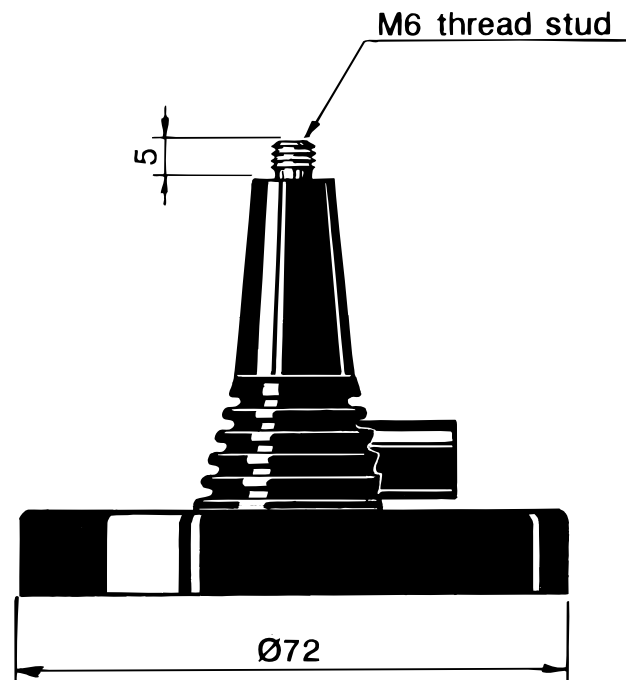
INSTALLATION:

The magnetic mount should be mounted in the middle of the vehicle roof or rear locker to produce best omnidirectional coverage.

TUNING:

Below 400 MHz: Use the cutting diagram for the corresponding X-mount model using the same type of whip as a guide while using an SWR-meter to tune the whip.

Above 400 MHz: Whips tuned by cutting: Use an SWR-meter.
Whips tuned with disc: Adjustment diagram accompanies the antenna.



PLEASE NOTE:

For safety reasons:

Do not operate the MiniMag with antenna whips longer than 60 cm. Please respect the maximum car speed limit corresponding to a particular whip length as appears from the curve on page 1 of this leaflet.