

RX 5000

Self-Supporting Wide-Band Receiving Whip Antenna for the LF, MF and HF Bands.



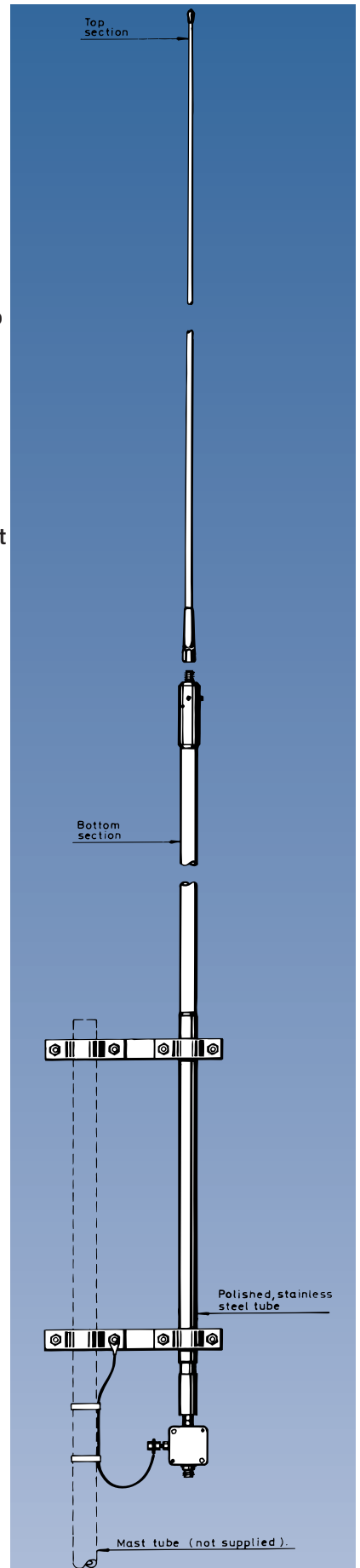
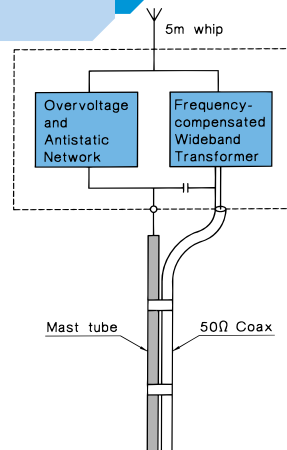
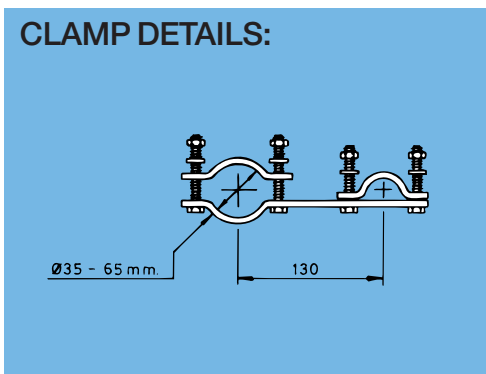
DESCRIPTION:

- ★ This antenna provides a very efficient means of establishing a universal, wide-band 50 Ω receiving aerial system for the complete LF, MF and HF bands in one unit.
- ★ The antenna consists of a high-capacitance, 5 m long glassfiber antenna element with a frequency-compensated wide-band impedance transformer mounted in the bottom end.
- ★ The transformer converts the widely varying antenna impedance to a constant 50 Ω, making it possible to use length-independent, shielded, standard RG 58 C/U or RG 213/U as download cable to the 50 Ω receiver.
- ★ The antenna is protected against noise pick-up running on the outside of the download cable, and it is protected against static by DC-grounding.
- ★ Moreover, the 50 Ω receiver and the matching transformer itself are protected against RF overload and violent discharges by an air spark gap (approx. 1 kV), a gas filled spark gap (90 V) and a resistance network.
- ★ To prevent electrolytical corrosion, the coaxial cable braid is only capacitively coupled to the earth connection.
- ★ Installation is easily carried out by means of the two hot galvanized mast clamps. The antenna has very small weight and minimum wind surface, thereby requiring only a minimum of mast strength.
- ★ The glassfiber construction gives a stiff and self-supporting structure with extremely good resistance against the corrosive marine environment with UV-radiation, salt, exhaust gases and ice formation as primary factors.
- ★ RX 5000 is a maintenance-free and very reliable construction.

SPECIFICATIONS:

ELECTRICAL	
MODEL	RX 5000
ANTENNA TYPE	Self-supporting wide-band receiving whip antenna for LF, MF and HF bands
FREQUENCY RANGE	100 kHz – 30 MHz
IMPEDANCE	50 Ω
POLARISATION	Vertical
MECHANICAL	
TEMP. RANGE	-30° C → +70° C
CONNECTOR	"N"-female
WIND SURFACE	0.082 m ²
WIND LOAD	108 N (at 150 km/h)
MAX. WIND SPEED	200 km/h
COLOUR	Marine white
MATERIALS	Shroud : Glassfiber, stainless steel and chromed brass Housing: Polycarbonate
TOTAL HEIGHT	Approx. 5.17 m
DIA. IN TOP END	5 mm
DIA. IN BOTTOM END	20 mm
WEIGHT	Approx. 2.9 kg (clamps inclusive)
MOUNTING	With side-mounting clamps on 35–65 mm dia. mast tube

CLAMP DETAILS:



PROCOM A/S reserve the right to amend specifications without prior notice.