

R 2-3/..., R 2-6/...

Directional Antennas with 3 and 6 dBd Gain
for the 160 MHz Band

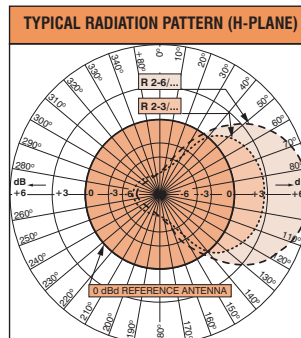
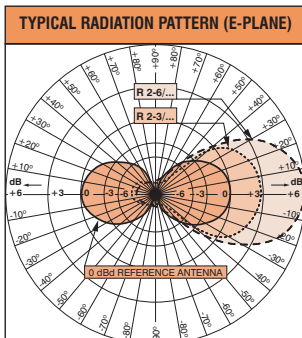
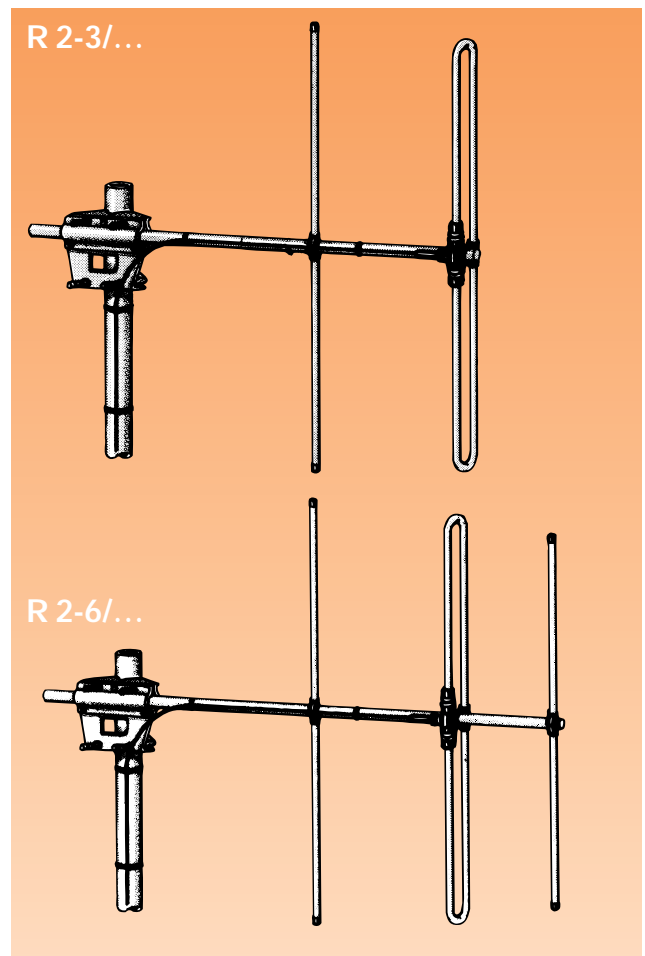


DESCRIPTION:

- ★ These antennas are 2- and 3-element Yagi antennas with 3 and 6 dBd gain, respectively.
- ★ When mounted for vertical polarisation the horizontal coverage is R 2-3: 100° and R 2-6: 80°.
- ★ R 2-3/... and R 2-6/... cover the 160 MHz band in two models.
- ★ These Yagis incorporate baluns optimized for wide bandwidth and accurate matching.
- ★ The entire balun unit and feeder cable inlet are completely sealed in a polythene moulding ensuring permanent waterproof connections. The antennas are supplied with a 3m "tail" of RG 213 terminated with an N-female connector.
- ★ Radiating elements, supporting booms and adjoining metal castings have been constructed in high quality aluminium alloys to prevent corrosion. All metal parts are DC-grounded.
- ★ The antennas are designed for back mounting and are provided with rear extended booms.
- ★ These antennas can be stacked and fed in phase with a matching harness for increased gain.
- ★ A mast clamp for fixation on 30-58 mm diameter mast tube is enclosed.

SPECIFICATIONS:

MODEL	R 2-3/...	R 2-6/...
ELECTRICAL		
ANTENNA TYPE	2-element Yagi	3-element Yagi
FREQUENCY	l: 144-162 MHz h: 156-175 MHz	l: 144-162 MHz h: 156-175 MHz
IMPEDANCE	50 Ω	
POLARISATION	Vertical or horizontal	
GAIN	5 dBi 3 dBd	8 dBi 6 dBd
FRONT TO BACK RATIO	12 dB	16 dB
HALF-POWER BEAMWIDTH	E-plane: 72° H-plane: 100°	E-plane: 60° H-plane: 80°
BANDWIDTH	19 MHz	19 MHz
SWR	≤ 1.5	
MAX. POWER	150 watt	
ANTISTATIC PROTECTION	All metal parts DC-grounded (Connector shows a DC-short)	
MECHANICAL		
CONNECTION	3m tail of RG 213 terminated with type "N" female connector	
WIND SURFACE	0.0828 m ²	0.0936 m ²
WIND LOAD	92 N (at 150 km/h)	104 N (at 150 km/h)
COLOUR	"Aluminium"	
MATERIALS	Elements/Boom/Saddle clamps: Aluminium alloys. Fittings: Stainless steel	
BOOM LENGTH	Approx. 0.93 m	Approx. 1.2 m
BOOM DIA.	31.8 mm	
MAX. ELEMENT LENGTH	Approx. 1.1 m	
DIA. OF ELEMENTS	19 mm	
WEIGHT	Approx. 3.5 kg	Approx. 4.1 kg
MOUNTING	Supplied with mast bracket suiting 30-58 mm dia. mast tube	



If the antennas are mounted for vertical polarisation these curves show the radiation patterns in the vertical plane.

If the antennas are mounted for vertical polarisation these curves show the radiation patterns in the horizontal plane (horizontal coverage).

ORDERING DESIGNATIONS

FREQ.	TYPE	2-element Yagi 3 dBd	3-element Yagi 6 dBd
144-162 MHz		R 2-3/l	R 2-6/l
156-175 MHz		R 2-3/h	R 2-6/h

PROCOM A/S reserve the right to amend specifications without prior notice.