

R 4-3/..., R 4-6/...

Directional Antennas with 3 and 6 dBd Gain
for the 80 MHz Band

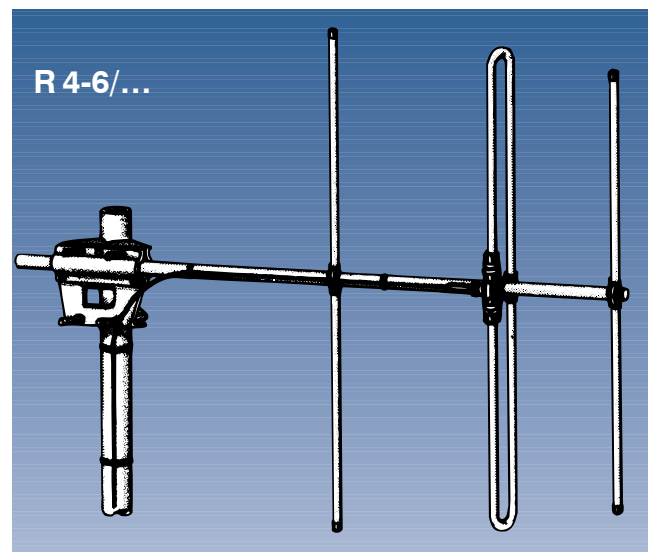
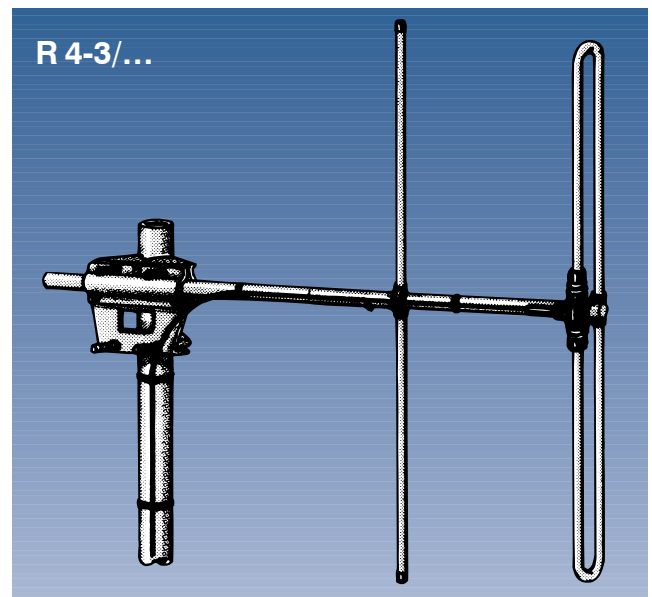


DESCRIPTION:

- ★ R 4-3/... is a two-element Yagi antenna with 3 dBd gain.
- ★ R 4-6/... is a three-element Yagi antenna with 6 dBd gain.
- ★ Both antenna types are delivered in two versions – one covering the low end of the band (“l”) and one covering the high end of the band (“h”), see specifications below.
- ★ These Yagis incorporate baluns optimized for wide bandwidth and accurate matching.
- ★ The entire balun unit and feeder cable inlet are completely sealed in a polythene moulding ensuring permanent waterproof connections. The antennas are supplied with a 3m “tail” of RG 213 terminated with an N-female connector.
- ★ Radiating elements, supporting booms and adjoining metal castings have been constructed in high quality aluminium alloys to prevent corrosion. All metal parts are DC-grounded.
- ★ The antennas are designed for back mounting and are provided with rear extended booms.
- ★ These antennas can be stacked and fed in phase with a matching harness for increased gain.
- ★ A mast clamp for fixation on 30-58 mm diameter mast tube is enclosed.

SPECIFICATIONS:

MODEL	R 4-3/...	R 4-6/...
ELECTRICAL		
ANTENNA TYPE	2-element Yagi	3-element Yagi
FREQUENCY	“l”: 66-78 MHz “h”: 75-88 MHz	“l”: 66-76 MHz “h”: 75-88 MHz
IMPEDANCE	Nom. 50 Ω	
POLARISATION	Vertical or horizontal	
GAIN	5 dBi 3 dBd	6 dBd (8 dBi)
FRONT TO BACK RATIO	12 dBd	17 dBd
HALF-POWER BEAMWIDTH	E-plane: 72° H-plane: 100°	E-plane: 60° H-plane: 80°
BANDWIDTH	13 MHz	
SWR	≤ 1.5	
MAX. POWER	150 watt	
ANTISTATIC PROTECTION	All metal parts DC-grounded (Connector shows a DC-short)	
MECHANICAL		
CONNECTION	3m tail of RG 213 terminated with type “N” female connector	
WIND SURFACE	0.162 m ²	0.203 m ²
WIND LOAD	180 N (at 150 km/h)	226 N (at 150 km/h)
COLOUR	“Aluminium”	
MATERIALS	Elements/Boom/Saddle clamps: Aluminium alloys Fittings: Stainless steel	
BOOM LENGTH	Approx. 1.6 m	Approx. 1.8 m
BOOM DIA.	31.8 mm	
MAX. ELEMENT LENGTH	Approx. 2.15 m	
DIA. OF ELEMENTS	19 mm	
WEIGHT	Approx. 4.9 kg	Approx. 5.3 kg
MOUNTING	On 30-58 mm dia. mast tube	



ORDERING DESIGNATIONS

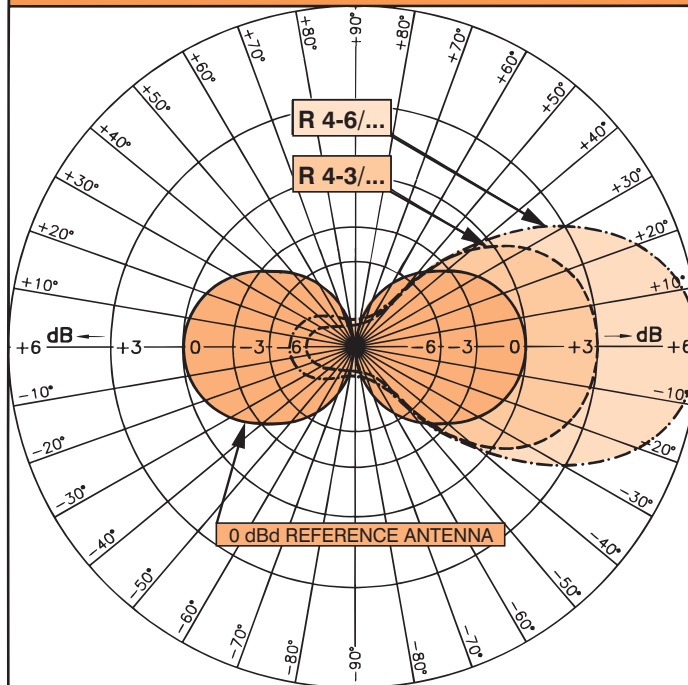
FREQ.	TYPE	2-element Yagi 3 dBd	3-element Yagi 6 dBd
66-76 MHz		–	R 4-6/l
66-78 MHz		R 4-3/l	–
75-88 MHz		R 4-3/h	R 4-6/h

PROCOM A/S reserve the right to amend specifications without prior notice.

R 4-3/..., R 4-6/...
Directional Antennas with 3 and 6 dBd Gain
for the 80 MHz Band

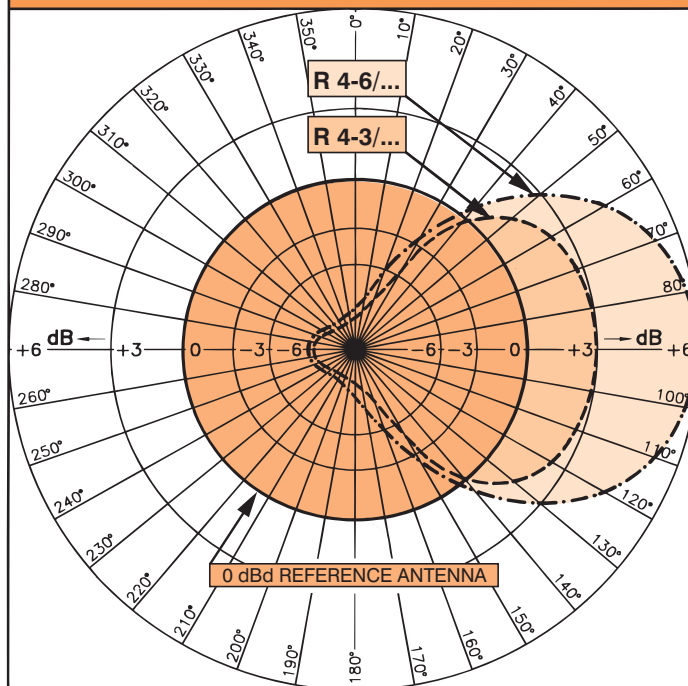


TYPICAL RADIATION PATTERN (E-PLANE)



If the antennas are mounted for vertical polarisation these curves show the radiation patterns in the vertical plane.

TYPICAL RADIATION PATTERN (H-PLANE)



If the antennas are mounted for vertical polarisation these curves show the radiation patterns in the horizontal plane (horizontal coverage).