

R 806-2500/10

Multi Band Yagi Antenna for
the 806- 2500 MHz Bands



DESCRIPTION:

- ★ Multi band shrouded Directional Antenna.
- ★ Covers e.g. the 900 MHz EGSM band (880–960 MHz) as well as the 1800 MHz DCS-1800/PCN band (1710–1890 MHz) and UMTS band (1900-2200 MHz).
- ★ 10 dBd gain from 806-2500 MHz.
- ★ A sturdy glass reinforced plastic shroud ensures effective protection against the weather.
- ★ All metal parts are DC grounded for noise reduction and lightning protection.
- ★ Materials carefully chosen for minimum electrolytic corrosion and intermodulation.
- ★ Supplied with circular cast alloy clamp for mounting on 25–50 mm mast tubes.
- ★ Reliable and robust design for optimum performance and long lifetime.
- ★ Fire Retardant properties.



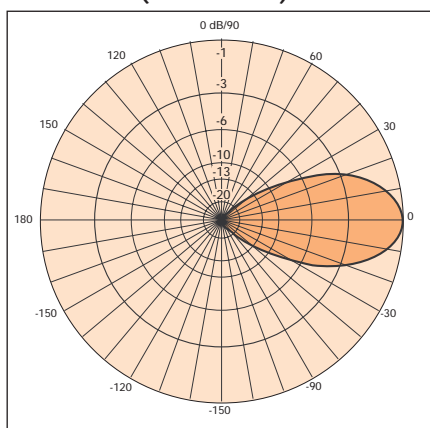
GENERAL SPECIFICATIONS:

MODEL	R 806-2500/10
ANTENNA TYPE	Shrouded Directional Antenna
FREQUENCY	806-2500 MHz
GAIN	12 dBi 10 dBd
H-PLANE BEAM WIDTH (-3 dB points)	51°
E-PLANE BEAM WIDTH (-3 dB points)	41°
MAXIMUM POWER	150 watt

ORDERING:

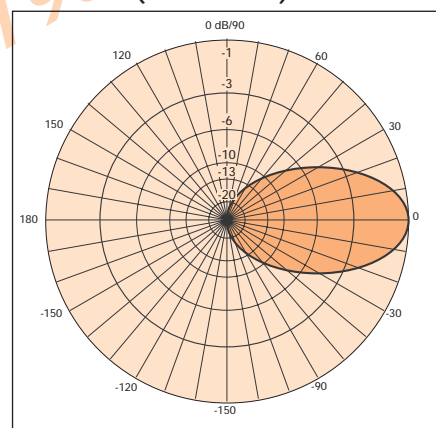
The antenna is supplied in the standard version with bracket suiting 25-50 mm dia. mast tube. Available for 50-75 mm dia. mast tube as an option.

TYPICAL RADIATION PATTERN
(E-PLANE)



Outer ring: 10 dBd

TYPICAL RADIATION PATTERN
(H-PLANE)



Outer ring: 10 dBd

EGSM 900/1800/UMTS

R 806-2500/10

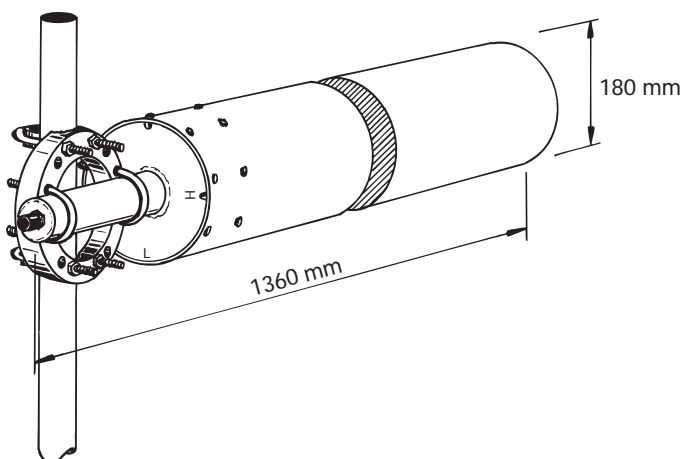
Multi Band Yagi Antenna for
the 806- 2500 MHz Bands



SPECIFICATIONS:

ELECTRICAL	
MODEL	R 806-2500/10
ANTENNA TYPE	Shoruded Directional Antenna
FREQUENCY	806-2500 MHz
IMPEDANCE	Nom. 50 Ω
POLARISATION	Linear, vertical or horizontal
GAIN	12 dBi 10 dBd
H-PLANE BEAM WIDTH (-3 dB points)	51°
E-PLANE BEAM WIDTH (-3 dB points)	41°
FRONT TO BACK RATIO	> 26 dB
BANDWIDTH	\geq 1700 MHz (SWR \leq 1.5)
SWR	\leq 1.5
MAXIMUM POWER	150 watt
ANTISTATIC PROTECTION	All metal parts DC-grounded
MECHANICAL	
CONNECTOR	"N" type female
WIND LOAD	260 N (max. @ at 160 km/h)
COLOUR	Grey
SHROUD	180 mm glass fibre tube
DIMENSIONS	Length 1360 mm, diameter 180 mm
WEIGHT	7 kg excl. mounting hardware
MOUNTING	Supplied with circular cast alloy clamp for mounting on 25-50 mm dia. mast tubes

MOUNTING OUTLINE:



MAST DIAMETER: 25 - 50 mm

POLARISATION:

MOUNTING NOTES:

1. "L" and "H" indicate polarisation of antenna. Polarisation is vertical when "L" is facing downwards. By aligning the middle drain holes to face downwards the antenna is at 45° polarisation.
2. When mounting inside a tunnel, the "L" must be normal to the wall/roof.
3. Antenna must be mounted at least 50 mm from tunnel wall/roof.
4. One drain hole at the rear of the antenna and one at the front must be pointing downwards. **These drain holes must have the sealing grommets removed.**

REAR VIEW:

